

Free Standing Fixed Height System

The TouchBoard Free Standing Fixed Height System is engineered from high tensile steel and rigid aluminium materials and designed to support modern LED touch panels up to 136kg. This system provides a modern addition to any corporate, boardroom or education environment.

With its large steel base, this system is a free standing solution, making it ideal for mounting in large open places where affixing to an existing wall may not be possible.

Modular in design, this system can convert to the Mobile or Wall Mount Height Adjustable System.

Available in fixed height, with mechanically adjustable to provide added flexibility and inclusive access for mixed or shared learning spaces. A central laptop tray is included as standard. Options include a side laptop tray, keyboard, PC and webcam mount as well as brackets to support VESA mounts up to 1470mm.

- ✔ Designed to provide complete flexibility in any learning / presentation area
- ✔ Provides inclusive learning for mobility impaired users
- ✔ Modular in design, being able to be converted to a Mobile or Wall Mount System
- ✔ Free standing design with no need to affix to a wall
- ✔ Sturdy and robust simple mechanical height adjustability
- ✔ Central laptop tray and webcam mount standard inclusion
- ✔ Integrated power distribution board with surge protection
- ✔ Fast and easy installation process, taking under 1 hour

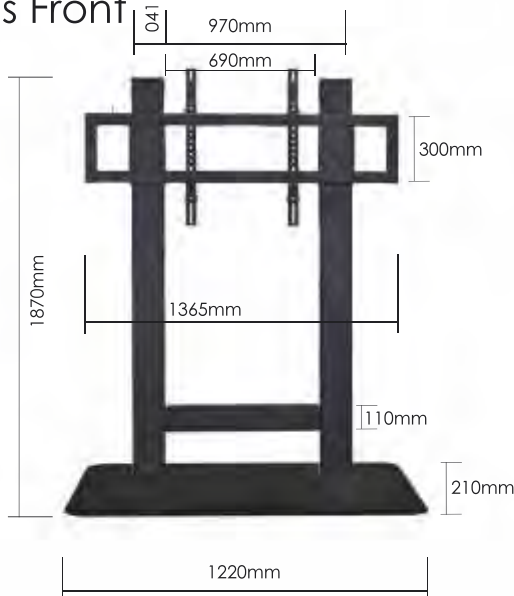
Height Adjustable



Panel Sizes



Dimensions Front



Dimensions Side



Accessories



Front Laptop Tray



Side Laptop Tray



Keyboard Mouse Bracket



Mini PC Bracket



Web Cam Bracket



Extension Brackets to support VESA to 1470 x 870mm

Specifications

Frame Specifications	
Dimensions	Width - 1365mm Columns 970mm
	Height of Frame - 1870mm
	Width of Base – Front 1220mm
	Depth of Base – 410mm
Material	Aluminum Extrusion Legs 2.5mm Steel Plate Support Brackets 3.0mm
Finish	Surface Treated Powder Coating Texture Finish to 2.0mm Thickness
Height Range	1270mm Mechanical Adjustment
Lifting Design	Nil
Weight Supported	Up to 136kg
VESA Supported	400mm x 400mm up to 1200mm x 600mm

Packing Dimensions			
Item no.	Descriptions	Packing Dimensions (mm)	Weight (kg.)
1	Frame	1420 x 390 x 130	20
2	Extrusions	1910 x 320 x 190	23
3	Base FS	1140 x 420 x 20	40

Electrical Specifications	
Linear Actuator	Nil
	Nil
	Nil
	Nil
	Nil
	Nil
	Nil
	Nil
	Nil
	Nil
	Nil
Control Box	Nil
	Nil
	Nil
	Nil
Switch	Nil
	Nil
	Nil
Power Board	4 Way PDU Aluminum Rack Mount CE.

