

Free Standing Height Adjustable System – Actuator Lift

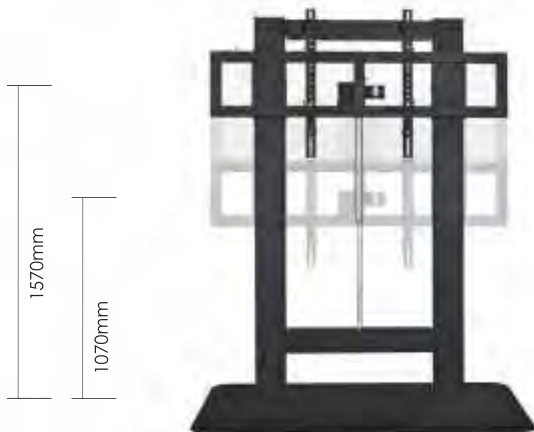
The TouchBoard Free Standing Height Adjustable System with Actuator Lift is engineered from high tensile steel and rigid aluminium materials and designed to support modern LED touch panels up to 136kg. Using a single linear actuator, this system provides a modern addition to any corporate, boardroom or education environment.

With its large steel base, this system is a free standing solution, making it ideal for mounting in large open places where affixing to an existing wall may not be possible. Modular in design, this system can convert to the Wall Mount or Mobile Height Adjustable System.

Available in motorised, electric height adjustable to provide added flexibility for mixed or shared learning spaces. A central laptop tray is included as standard. Options include a side laptop tray, keyboard, PC and webcam mount as well as brackets to support VESA mounts up to 1470mm.

- ✔ Designed to provide complete flexibility in any learning / presentation area
- ✔ Provides inclusive learning for mobility impaired users
- ✔ Modular in design, being able to be converted to a Wall Mount or Mobile System
- ✔ Free standing design with no need to affix to a wall
- ✔ Sturdy and robust with simple electronic actuator control
- ✔ Central laptop tray and webcam mount standard inclusion
- ✔ Integrated power distribution board with surge protection
- ✔ Fast and easy installation process, taking under 1 hour

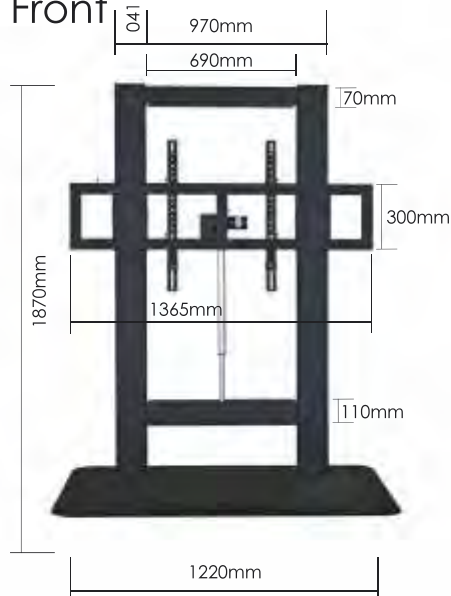
Height Adjustable



Panel Sizes



Dimensions Front



Dimensions Side



Accessories



Front Laptop Tray



Side Laptop Tray



Keyboard Mouse Bracket



Mini PC Bracket



Web Cam Bracket



Extension Brackets to support VESA to 1470 x 870mm

Specifications

Frame Specifications	
Dimensions	Width - 1365mm Columns 970mm
	Height of Frame - 1870mm
	Width of Base - 1100mm
	Depth of Base - 410mm
Material	Aluminum Extrusion Legs 2.5mm Steel Plate Support Brackets 3.0mm
Finish	Surface Treated Powder Coating Texture Finish to 2.0mm Thickness
Height Range	Up / Down - 500mm of Travel
Lifting Design	Single Linear Actuator
Weight Supported	Up to 136kg
VESA Supported	400mm x 400mm up to 1200mm x 600mm

Packing Dimensions			
Item no.	Descriptions	Packing Dimensions (mm)	Weight (kg.)
1	Brackets	770 x 320 x 150	15
2	Frame	1430 x 380 x 150	23
3	Extrusion	1910 x 320 x 150	24
4	Base FS	1140m x 420 x 20	40

Electrical Specifications	
Linear Actuator	Quantity 1
	Load Capacity - 400N
	Speed - 4mm/s
	Input - 24DC
	Stroke Length - 500mm
	Retracted Length - 695mm
	Overload Protection - Integrated into Control Box
	Duty Cycle - 10% Max, 2 Min Continuous Use
	Material - Alloy Tube 2.5mm
	Operating Temp - +5deg - +40deg
	Certification - CE
Control Box	Output - 2 Output
	Voltage - 230 - 240 VAC
	Power - 50 Watts
	Certification - CE
Switch	2 Button - Up / Down
	Connection - Cat5 to Controller
	Certification - CE
Power Board	4 Way PDU Aluminum Rack Mount CE.

