

Mobile Fixed Height System

The TouchBoard Mobile Fixed Height System is engineered from high tensile steel and rigid aluminium materials and designed to support modern LED touch panels up to 136kg. This system provides a modern addition to any corporate, boardroom or education environment.

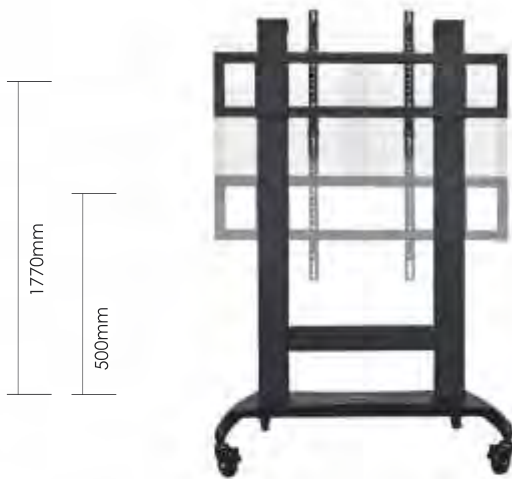
Sturdy and robust and able to support larger 86" and 98" LED touch panels.

Modular in design, this system can convert to the Wall Mount of Free Standing Fixed Height System providing the ability to adjust with the changing needs of the customer.

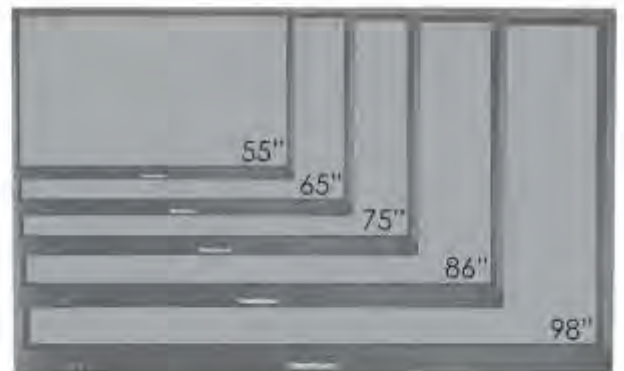
Available in fixed height, with mechanically adjustable to provide added flexibility and inclusive access for mixed or shared learning spaces. A central laptop tray is included as standard. Options include a side laptop tray, keyboard, PC and webcam mount as well as brackets to support VESA mounts up to 1470mm.

- ✔ Designed to provide complete flexibility in any learning / presentation area
- ✔ Provides inclusive learning for mobility impaired users
- ✔ Modular in design, being able to be converted to a Wall Mount or Free Standing System
- ✔ Sturdy and robust simple mechanical height adjustability
- ✔ Easy to manoeuvre between areas and pack away when not required
- ✔ Central laptop tray and webcam mount standard inclusion
- ✔ Integrated power distribution board with surge protection
- ✔ Fast and easy installation process, taking under 1 hour

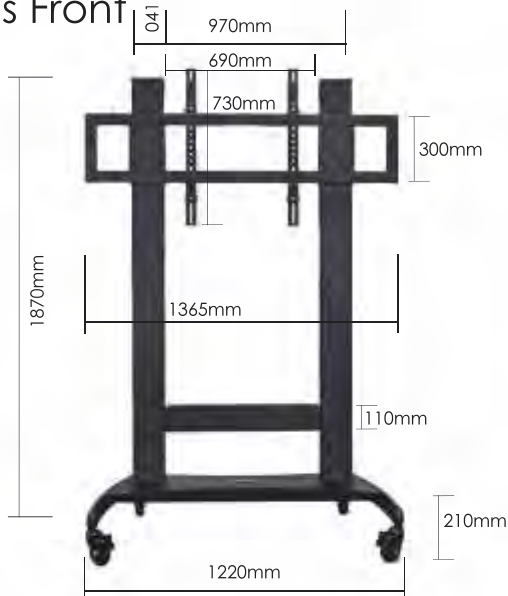
Height Adjustable



Panel Sizes



Dimensions Front



Dimensions Side



Accessories



Front Laptop Tray



Side Laptop Tray



Keyboard Mouse Bracket



Mini PC Bracket



Web Cam Bracket



Extension Brackets to support VESA to 1470 x 870mm

Specifications

Frame Specifications			
Dimensions	Width - 1365mm Columns 970mm Height of Frame - 2000mm Width of Base – Front 1220mm Rear 920mm Depth of Base – 750mm, Castors - 100mm PU with Brake		
Material	Aluminum Extrusion Legs 2.5mm Steel Plate Support Brackets 3.0mm		
Finish	Surface Treated Powder Coating Texture Finish to 2.0mm Thickness		
Height Range	1270mm Mechanical Adjustment		
Lifting Design	Nil		
Weight Supported	Up to 136kg		
VESA Supported	400mm x 400mm up to 1200mm x 600mm		
Packing Dimensions			
Item no.	Descriptions	Packing Dimensions (mm)	Weight (kg.)
1	Frame	1420 x 390 x 130	20
2	Extrusions	1910 x 320 x 190	23
3	Base	1280 x 850 x 100	25

Electrical Specifications	
Linear Actuator	Nil
	Nil
	Nil
	Nil
	Nil
	Nil
	Nil
	Nil
	Nil
	Nil
	Nil
Control Box	Nil
	Nil
	Nil
	Nil
Switch	Nil
	Nil
	Nil
Power Board	4 Way PDU Aluminum Rack Mount CE.

