

Wall Mount Height Adjustable System – Actuator Lift

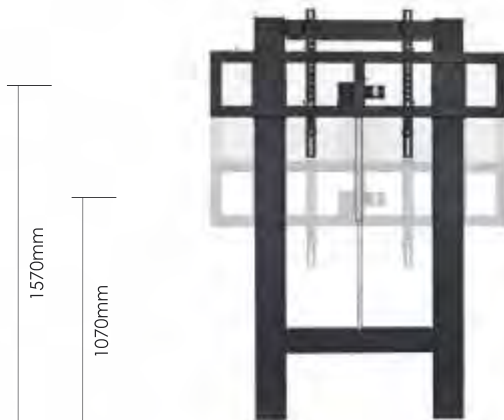
The TouchBoard Wall Mount Height Adjustable System with Actuator Lift is engineered from high tensile steel and rigid aluminium materials and designed to support modern LED touch panels up to 136kg. Using a single linear actuator, this system provides a modern addition to any corporate, boardroom or education environment.

Strong aluminium extrusions to transfer load to the floor rather than the wall, making it ideal for mounting in places where existing walls may not be structurally adequate. Sturdy and robust and able to support larger 86" and 98" panels. Modular in design, this system can convert to the Mobile or Free Standing Height Adjustable System.

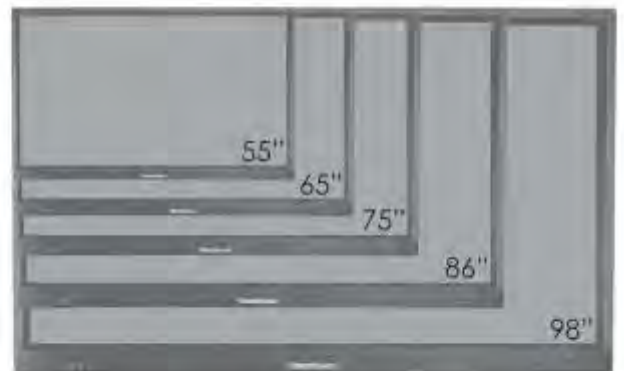
Available in motorised, electric height adjustable to provide added flexibility. A central laptop tray is included as standard. Options include a side laptop tray, keyboard, PC and webcam mount as well as brackets to support VESA mounts up to 1470mm.

- ✔ Designed to provide complete flexibility in any learning / presentation area
- ✔ Provides inclusive learning for mobility impaired users
- ✔ Modular in design, being able to be converted to a Mobile or Free Standing System
- ✔ Strong aluminium extrusions transfer load to floor
- ✔ Sturdy and robust with simple electronic actuator control
- ✔ Central laptop tray and webcam mount standard inclusion
- ✔ Integrated power distribution board with surge protection
- ✔ Fast and easy installation process, taking under 1 hour

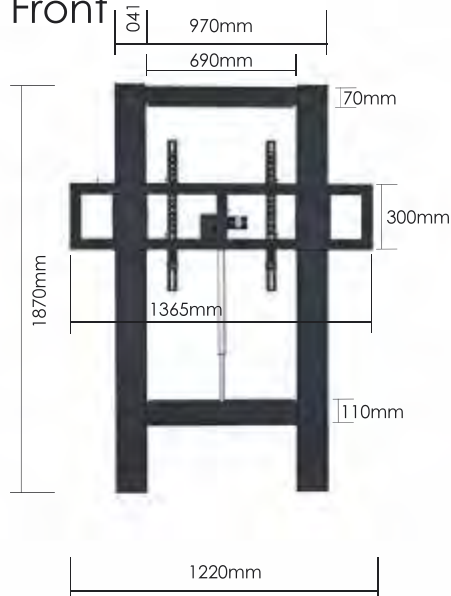
Height Adjustable



Panel Sizes



Dimensions Front



Dimensions Side



Accessories



Front Laptop Tray



Side Laptop Tray



Keyboard Mouse Bracket



Mini PC Bracket



Web Cam Bracket



Extension Brackets to support VESA to 1470 x 870mm

Specifications

| Frame Specifications | |
|----------------------|--|
| Dimensions | Width - 1365mm Columns 970mm Height of Frame - 1870mm Depth of Frame - 140mm |
| Material | Aluminum Extrusion Legs 2.5mm Steel Plate Support Brackets 3.0mm |
| Finish | Surface Treated Powder Coating Texture Finish to 2.0mm Thickness |
| Height Range | Up / Down 500mm of Travel |
| Lifting Design | Single Linear Actuator |

| Packing Dimensions | | | |
|--------------------|--------------|-------------------------|--------------|
| Item no. | Descriptions | Packing Dimensions (mm) | Weight (kg.) |
| 1 | Brackets | 770 x 320 x 150 | 15 |
| 2 | Frame | 1430 x 380 x 150 | 23 |
| 3 | Extrusion | 1910 x 320 x 150 | 24 |

| Electrical Specifications | |
|---------------------------|---|
| Linear Actuator | Quantity 1 Load Capacity - 400N Speed - 4mm/s Input - 24DC Stroke Length - 500mm Retracted Length - 695mm Overload Protection - Integrated into Control Box Duty Cycle - 10% Max, 2 Min Continuous Use Material - Alloy Tube 2.5mm Operating Temp - +5deg - +40deg Certification - CE |
| Control Box | Output - 2 Output Voltage - 230 - 240 VAC Power - 50 Watts Certification - CE |
| Switch | 2 Button - Up / Down Connection - Cat5 to Controller Certification - CE |
| Power Board | 4 Way PDU Aluminum Rack Mount CE. |

