

Wall Mount Height Adjustable System – Centre Lift

The TouchBoard Wall Mount Height Adjustable System with Centre Lift is our latest technology system designed to support modern LED Touch Screens up to 136kg. Using a two-stage rigid aluminium lifting extrusion, it provides a modern addition to any corporate, boardroom or education environment.

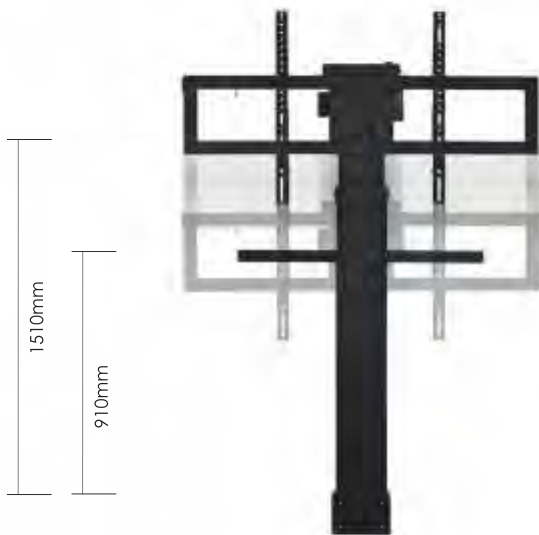
Strong aluminium extrusions transfer the load bearing aspects to the floor, rather than the wall. This makes it ideal for mounting in places where existing walls may not be structurally adequate.

Modular in design, this system can convert to the Wall Mount of Mobile Height Adjustable System.

Available in motorised electric height adjustable to provide added flexibility and inclusive access for mixed or shared learning spaces. A central laptop tray is included as standard. Options include a side laptop tray, keyboard, PC and webcam mount as well as brackets to support VESA mounts up to 1470mm.

- ✔ Designed to provide complete flexibility in any learning / presentation area
- ✔ Provides inclusive learning for mobility impaired users
- ✔ Modular in design, being able to be converted to a Free Standing or Mobile System
- ✔ Strong aluminium extrusions transfer load to floor
- ✔ Sturdy and robust, supporting up to 136kg with simple electronic actuator control
- ✔ Central laptop tray included. Webcam and keyboard mounts available
- ✔ Integrated power distribution board with surge protection
- ✔ Fast and easy installation process, taking under 1 hour

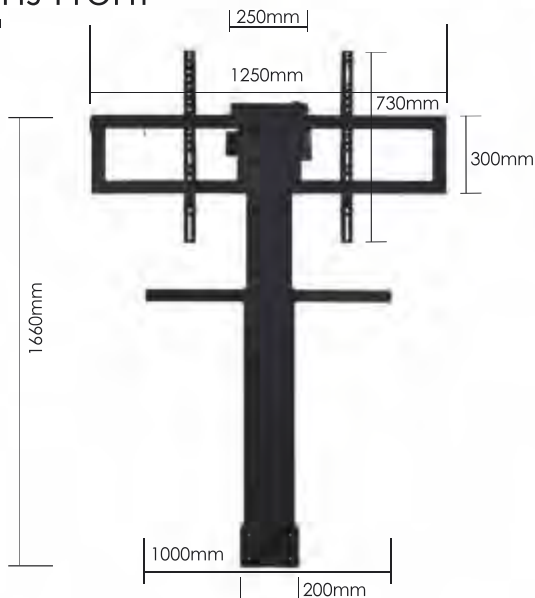
Height Adjustable



Panel Sizes



Dimensions Front



Dimensions Side



Accessories



Front Laptop Tray



Side Laptop Tray



Keyboard Mouse Bracket



Mini PC Bracket



Web Cam Bracket



Extension Brackets to support VESA to 1470 x 870mm

Specifications

Frame Specifications	
Dimensions	Width - 1250mm Height of Frame - 1150mm to 1750mm Depth of Frame - 260mm
Material	Aluminium Extrusion Column 2.5mm Steel Plate Support Brackets 3.0mm
Finish	Surface Treated Powder Coating Texture Finish to 2.0mm Thickness
Height Range	600mm of Travel
Lifting Design	Single Linear Actuator
Weight Supported	Up to 136kg
VESA Supported	400mm x 400mm up to 1200mm x 600mm

Packing Dimensions			
Item no.	Descriptions	Packing Dimensions (mm)	Weight (kg.)
1	Brackets	1420 x 390 x 250	17
2	Actuator	1120 x 310 x 280	24

Electrical Specifications	
Linear Actuator	Quantity 1 Load Capacity - 400N Speed - 4mm/s Input - 24DC Stroke Length - 500mm Retracted Length - 695mm Overload Protection - Integrated into Control Box Duty Cycle - 10% Max, 2 Min Continuous Use Material - Alloy Tube 2.5mm Operating Temp - +5deg - +40deg Certification - CE
Control Box	Output - 2 Output Voltage - 230 - 240 VAC Power - 50 Watts Certification - CE
Switch	2 Button - Up / Down Connection - Cat5 to Controller Certification - CE
Power Board	4 Way PDU Aluminum Rack Mount CE.

